

IEC Appliance Connector C20 with CBE 1- or 2-pole



**Description**

- Panel Mount:  
Screw-on version from front or rear side, snap-in version from front side
- 2 Functions:  
Inlet Protection class I, circuit breaker type TA45 2-pole
- Quick connect terminals 6.3 x 0.8 mm
- Alternative: version with line filter [EF12](#)

**Approvals**

- VDE License Number: 40001029
- UL License Number: E96454

**Characteristics**

- All single elements are already wired  
Unwired versions available on request
- Line switch non-illuminated or illuminated  
Thermal overload protection
- Optional with undervoltage release or remote trip release
- Qualified for use in equipment according IEC/EN 60950

**Other versions on request**

- Unwired versions

**Weblinks**

[Approvals](#), [RoHS](#), [CHINA-RoHS](#), [e-Store](#), [SCHURTER-Stock-Check](#), [Distributor-Stock-Check](#)

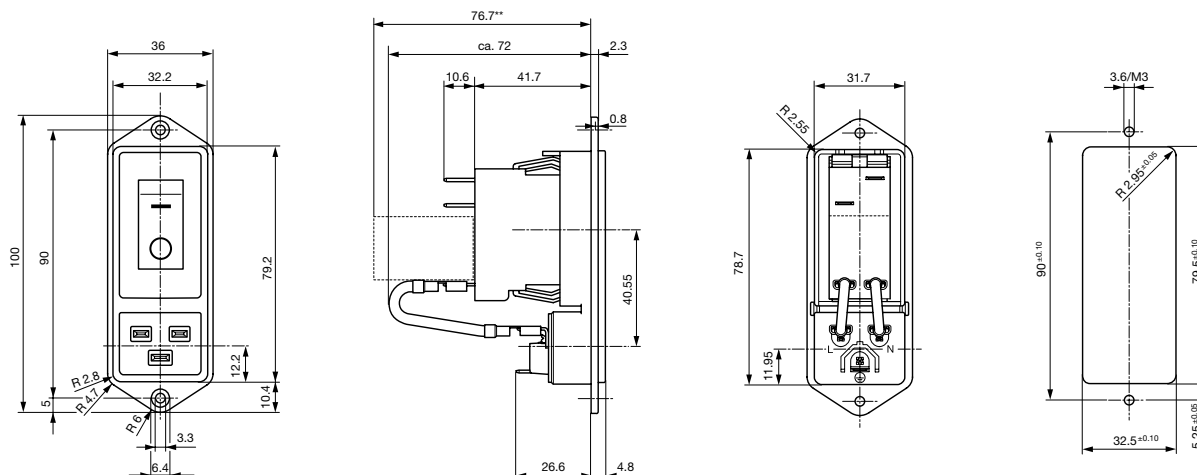
**Technical Data**

Ratings IEC	16 A / 250 VAC; 50 Hz
Ratings UL/CSA	20 A / 125/250 VAC; 60 Hz
Dielectric Strength	> 1.5 kVAC between L-N > 3 kVAC between L/N-PE (1 min/50 Hz)
Allowable Operation Temp.	-10 °C to 55 °C
Degree of Protection	from front side IP 40 acc. to IEC 60529
Protection Class	Suitable for appliances with protection class I acc. to IEC 61140
Terminal	Quick connect terminals 6.3 x 0.8 mm
Panel Thickness s	Screw-on: max 8 mm Mounting screw torque max 0.5 Nm Snap-in: 1.5/2/2.5 mm
Material: Housing	Thermoplastic, black, UL 94V-0

Appliance-Inlet/-Outlet	C20 acc. to IEC/EN 60320-1, UL 498, CSA C22.2 no. 42 (for cold conditions) pin-temperature 70 °C, 16 A, Protection class I
Circuit breaker	Acc. IEC/EN 60934, UL 1077, CSA 22.2 no. 235 2-pole rocker switch, illuminated or non-illuminated. Optional with undervoltage- or remote trip release Short circuit capacity Icn: at In < 3A/240VAC : 10 x In at In ≥ 3A/240VAC : 300A
Line Switch	Rocker switch 2-pole, non-illuminated or illuminated, acc. to IEC 61058-1 <a href="#">Technical details</a>

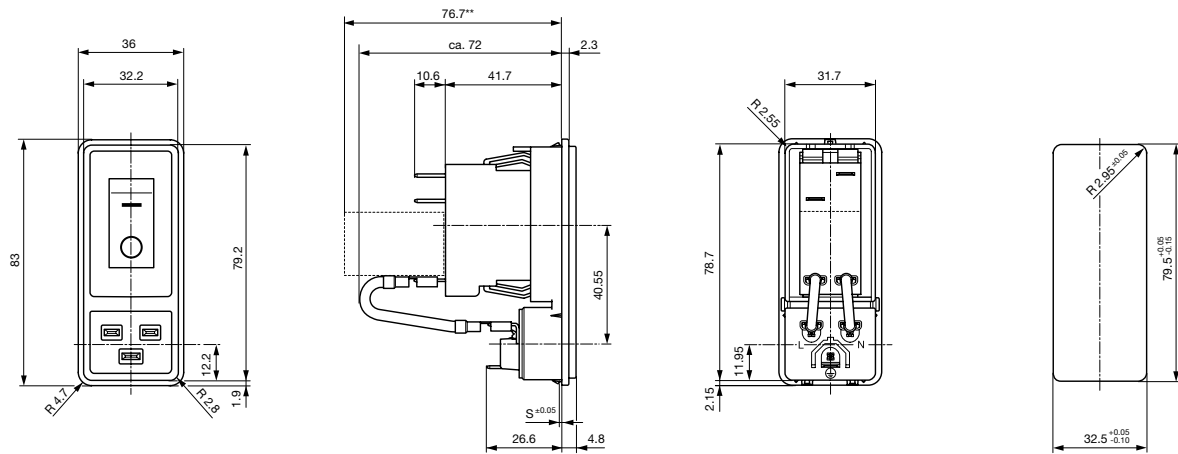
**Dimensions**

Screw-on mounting



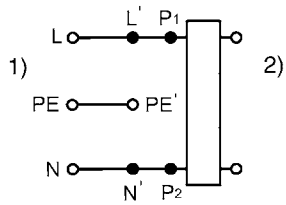
\*\* --- Version TA45 with undervoltage release

## Snap-in mounting



\*\*--- Version TA45 with undervoltage release

## Diagrams



1) Line  
2) Load

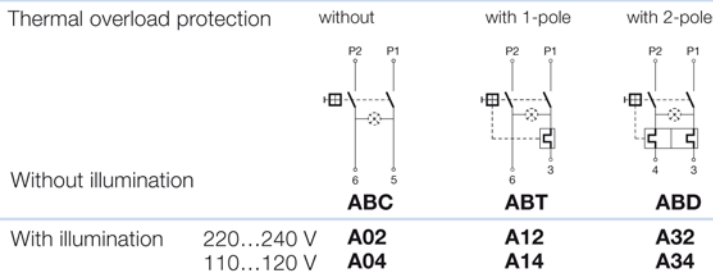
**Table 1 Selection for type TA45**

Order example



- Line switch
- 2-pole, rocker actuated
- Quick connect terminal
- Other types on request

**Diagram**



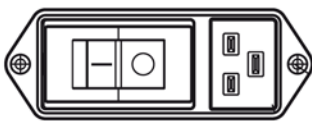
**Colours**

Switch front	Rocker	
<b>W</b> black	white	—
<b>B</b> black	black	—
<b>6</b> black	—	orange transp.

**Rocker legend**

Surface	Illustration	Colour of print	Surface	Illustration	Colour of print
<b>F</b> embossed		—	<b>M</b> printed		black
<b>H</b> printed		white	<b>P</b> printed		white
<b>K</b> printed		black	<b>R</b> printed		black
<b>L</b> printed		white			

Position of the rocker legend  
e.g F



**Rated current:**

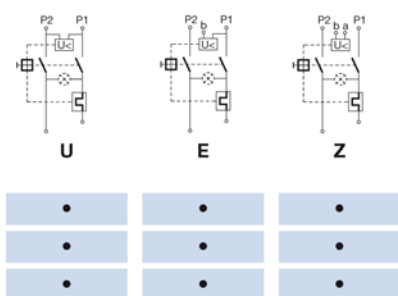
- Without thermal overload protection: code **C00** }  $I_n = 20\text{ A}$
- With thermal overload protection: rated current  $I_n$  (A)

$I_n$	Code	$I_n$	Code	$I_n$	Code	$I_n$	Code
10,0	<b>100</b>	13,0	<b>130</b>	16,0	<b>160</b>	19,0	<b>190</b>
11,0	<b>110</b>	14,0	<b>140</b>	17,0	<b>170</b>	20,0	<b>200</b>
12,0	<b>120</b>	15,0	<b>150</b>	18,0	<b>180</b>		

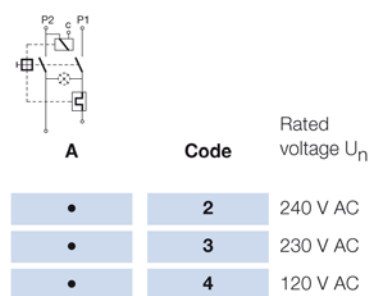
Other rated currents on request

**Without release: code C0**

**Undervoltage release**



**Remote trip release**



ABT W F 150 C0

**Packaging unit** 20 Pcs

---

**Accessory**

**Description**



Assorted Covers  
Rear Cover

0859.0109



Cord retaining kits  
Cord retaining strain relieve

Flat head, Z

0888.0021

Flat head, H

4700.0008

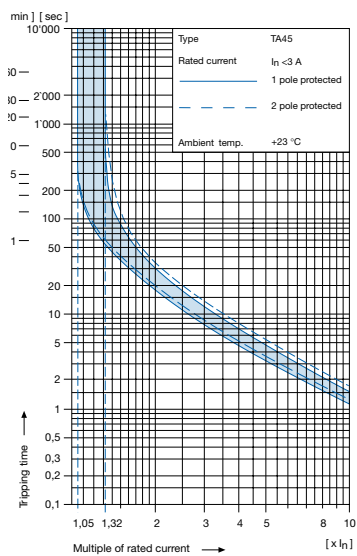
---

Technical data (continued)

Circuit breaker

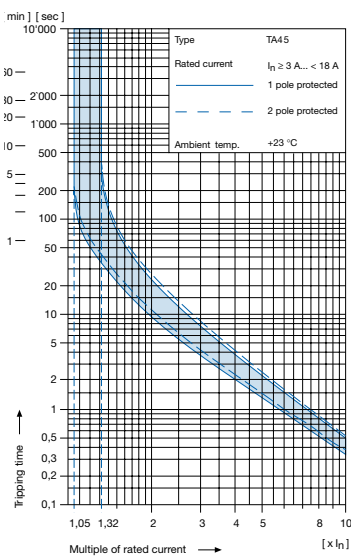
Tripping characteristics

$I_n < 3 A$



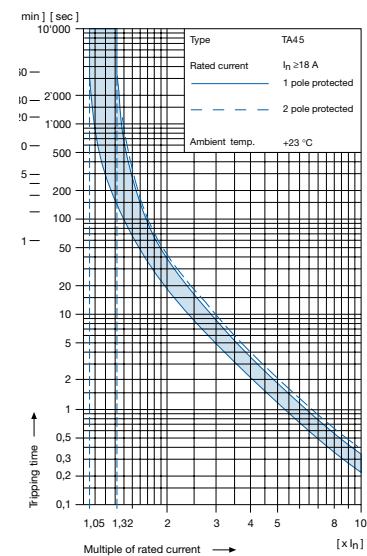
Tripping characteristics

$I_n \ge 3... < 18 A$



Tripping characteristics

$I_n \ge 18 A$



1) Effect of ambient temperature

The unit is calibrated for an ambient temperature of +23 °C. To determine the rated current for a lower or higher ambient temperature, use a correction factor from the table below:

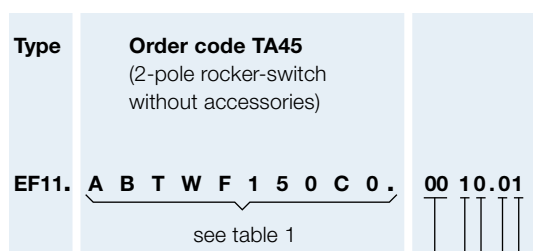
* Ambient temperature [°C]	Correction factor
-10	0,89
- 5	0,91
0	0,92
+23	1,00
+30	1,03
+40	1,08
+55	1,16

\* Temperature must be measured at the rear of the breaker next to the terminals after equipment operating temperature has been reached.

1) Example

Rated current at +23 °C: 6,0 A  
 Ambient temperature: +40 °C  
 Correction factor: 1,08  
 Chosen rated current at +40 °C ambient temperature: **6 A x 1,08 = 6,5 A**

Order code for EF11 (order example)



Please note that Schurter will establish an internal new part number for logistical use in addition to the order code. The format of this internal part number is, for example EF11.3103.0010.01